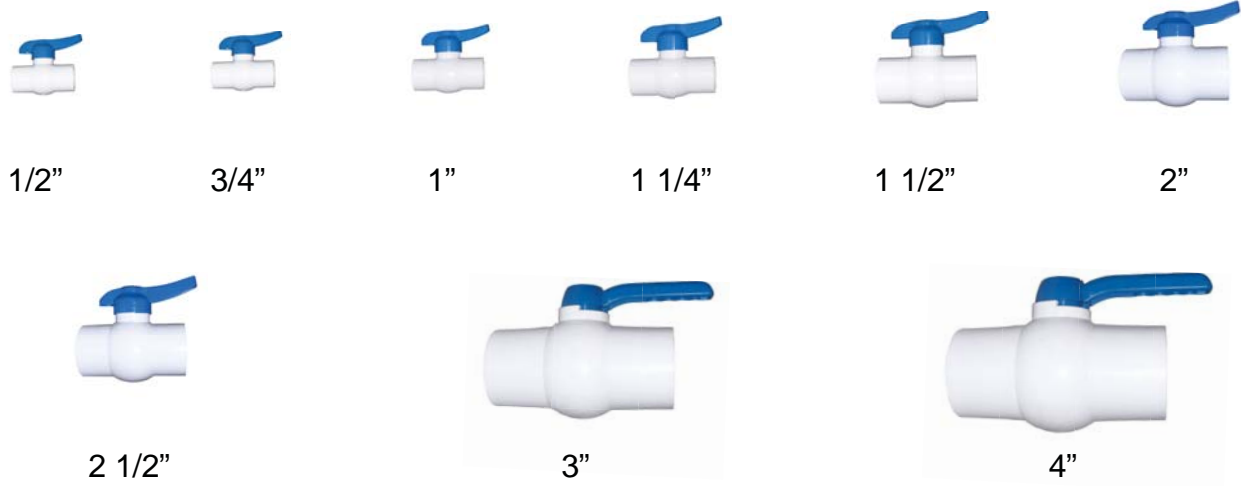


PVC BALL VALVES - THREAD OR SLIP



Features

- PVC handle/lever
- Industrial Grade, Maintenance Free Design
- Molded valve connections have a radius at the socket entrance and at the socket seat for ease of gluing/ threading and greater strength
- Fully ported opening
- One piece PVC molded body, Leak tested 100%
- Available with female NPT or slip / socket connections
- Applications include: Irrigation, Water Supply, Plumbing, Swimming Pool, Checmical Feed, Marine and Waste Water

Specifications

- Pressure Ratings:
 - 1/2" - 2" Valves rated at 200 psi @ 70°F
 - 2 1/2" - 4" Valves rated at 150 psi @ 70°F
- Temperature Operating range is from 41°F to 122°F
- EPDM seat and O-ring

Part Number		Size	Schedule Class	Pressure Rated at 70° F	Case Qty.
Threaded	Slip				
BVT-005	BVS-005	1/2"	80	200 psi	20
BVT-007	BVS-007	3/4"	80	200 psi	20
BVT-010	BVS-010	1"	80	200 psi	20
BVT-012	BVS-012	1 1/4"	80	200 psi	10
BVT-015	BVS-015	1 1/2"	80	200 psi	10
BVT-020	BVS-020	2"	80	200 psi	10
BVT-025	BVS-025	2 1/2"	80	150 psi	5
BVT-030	BVS-030	3"	80	150 psi	5
BVT-040	BVS-040	4"	60	150 psi	4

HIT PRODUCTS CORPORATION

556 S. Mirage Avenue • P.O. Box 929 • Lindsay, CA 93247
 TEL.: (559) 562-5975 • FAX: (559) 562-6626 • EMAIL: sales@hitproductscorp.com

January 2014

SPECIFICATIONS

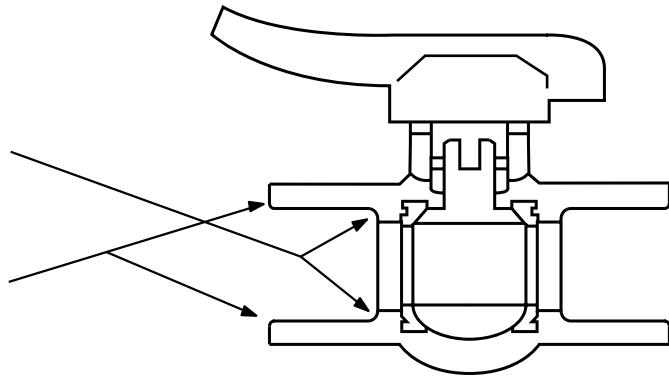
PVC BALL VALVES



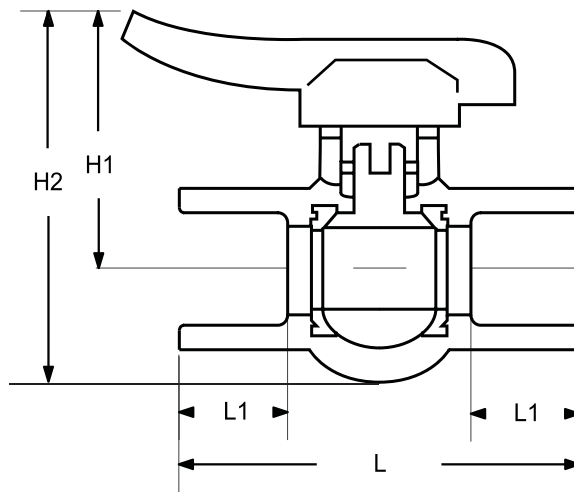
Unique Features

A molded radius at the bottom of the socket provides extra strength and integrity to the valve body

Socket entrance with radius facilitates easier solvent welding and connection reliability



Part Number		Size	Dimensions			
Threaded	Slip		L	L1	H1	H2
BVT-005	BVS-005	1/2"	3	0.87	1.98	2.49
BVT-007	BVS-007	3/4"	3.45	0.90	2.11	3.02
BVT-010	BVS-010	1"	3.91	1.00	2.21	3.42
BVT-012	BVS-012	1 1/4"	4.35	1.06	2.45	3.82
BVT-015	BVS-015	1 1/2"	5.00	1.20	2.97	4.26
BVT-020	BVS-020	2"	5.75	1.50	3.43	5.10
BVT-025	BVS-025	2 1/2"	6.82	1.57	3.91	6.53
BVT-030	BVS-030	3"	9.38	2.50	4.42	7.42
BVT-040	BVS-040	4"	10.38	2.56	5.05	8.23



Specifications may change due to engineering changes.

HIT PRODUCTS CORPORATION

556 S. Mirage Avenue • P.O. Box 929 • Lindsay, CA 93247

TEL.: (559) 562-5975 • FAX: (559) 562-6626 • EMAIL: sales@hitproductscorp.com

April 2015